



12

Legit

STEAM BRUSH

Model No. BG560A
220-240V~ 50/60Hz 1370-1630W



Instruction Manual

For household and indoor use only

Please read these instructions before use and retain for future reference

1

ELECTRICAL SAFETY

- You should only plug the appliance into a 220V-240V AC, 50Hz supply. Connecting it to other power sources may damage the appliance and will invalidate the guarantee.
- Switch off and unplug when not in use, filling the water reservoir and before cleaning the appliance.
- Keep the appliance and its cord out of reach of children less than 8 years when it is energized or cooling down.
- Do not allow children to use the appliance without supervision.
- This appliance can be used by children aged from 8 years and above and persons with reduced physical, sensory or mental capabilities or lack of experience and knowledge if they have been given supervision or instruction concerning use of the appliance in a safe way and understand the hazards involved. Children shall not play with the appliance. Cleaning and user maintenance shall not be made by children unless they are older than 8 and supervised.
- Keep outside of appliance, cable and plug dry and away from areas where it is likely to get splashed. Never immerse in water.
- Do not pull on the cable to disconnect from mains supply.
- Do not operate the appliance if dropped, leaking or showing signs of damage or after it malfunctions. In the event the supply cord is damaged, in order to avoid a hazard it must only be replaced by a qualified service engineer, with a suitably approved part.
- This appliance must be positioned so that the plug is accessible and the plug socket is within easy reach of the power cord.
- This appliance must be plugged into an earthed socket outlet.

2

RECYCLING ELECTRICAL PRODUCTS

You should now recycle your waste electrical goods and in doing so help the environment. This symbol means an electrical product should not be disposed of with normal household waste. Please ensure it is taken to a suitable facility for disposal when finished with.



11

CLEANING

Clean and remove any scale that is formed on a regular basis.


1. Switch off, disconnect from the mains supply and allow the garment steamer to cool completely.
2. Remove any residues on the steam head with a soft cloth soaked in a vinegar / water solution.
3. The steamer housing can be cleaned with a soft damp cloth and then wiped dry. Do not use detergent or abrasives as these may scratch the surface. Never immerse in water.

To maintain efficiency of the steamer use distilled or softened water in the reservoir. If using tap water, descale a minimum of once per month. To descaler the steamer -

1. Switch off, disconnect from the mains supply and allow the garment steamer to cool completely.
2. Remove and empty the water reservoir.
3. Prepare a descaling solution with 115ml of distilled water and 115ml of vinegar. Fill the reservoir with the solution and refit the reservoir.
4. **In a well ventilated room**, plug in and switch on the steamer.
5. Place the steamer upright on a stable surface, facing away from people, pets and objects that can be damaged by heat or water.
6. Switch on and when the steamer is up to temperature lock the trigger open.
7. When the steamer has emptied the reservoir, switch off and allow it to cool before repeating the above steps with clean water.
8. Turn the steamer off, allow to cool before wiping off any accumulated scale from the steam head.
9. The steamer is now ready to be used as normal.

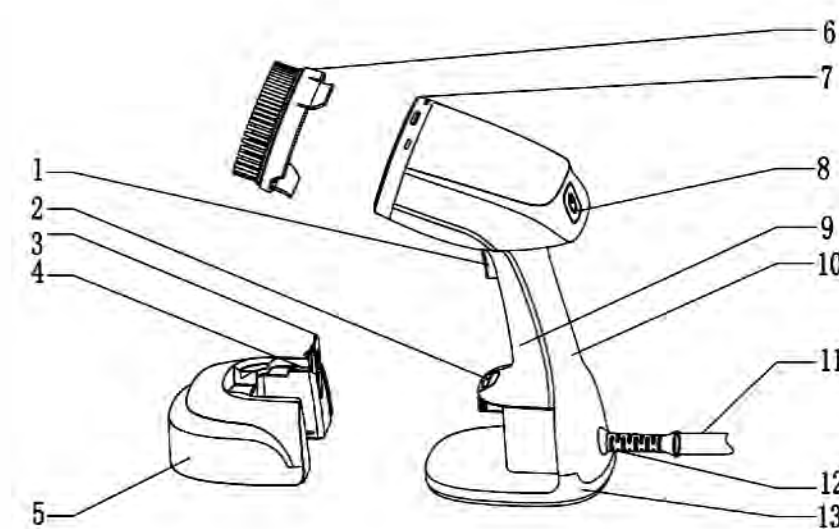
10

WARNING!

- This appliance is intended exclusively for use in domestic households. It is not suitable for commercial use.
- Do not leave unattended while it is connected to the mains supply.
- Do not cover and allow the garment steamer to cool fully before storing. Do not wind the cable tightly around the garment steamer.
-  **Danger of scalding.** The steam head will become hot during use. Do not touch during and immediately after use and always carry by the handle. To prevent burns, always ensure steam head is angled away from you, nearby persons and animals.
- Do not use the garment steamer near, on or against surfaces that are heat sensitive or those that may be damaged by steam.
- Do not overfill and never remove the water reservoir during use.

3

PARTS



- | | |
|--------------------------------|----------------------------------|
| (1). Steam switch | (9). Front cover |
| (2). Tank lock | (10). Rear cover |
| (3). Sealing silicone | (11). Power supply cord and plug |
| (4). Water inlet | (12). Guard sleeve |
| (5). Water tank | (13). The base cover |
| (6). Brush | |
| (7). Ironing panel | |
| (8). Power indicator lampshade | |

4

REFILLING THE GARMENT STEAMER

- Stand the garment steamer in the upright position, switch off, unplug and allow it to cool slightly. Never remove the water reservoir whilst the steamer is connected to the mains or in use.
- Press the water reservoir release button and remove the water reservoir.
- Open the reservoir stopper and fill the water reservoir with distilled or filtered water. Do not overfill or exceed the MAX water level marked on the reservoir. Close the stopper and refit the reservoir into the stand.
- Reconnect the garment steamer to the supply, switch on and allow the garment steamer to come back up to temperature before starting to steam.

STORAGE

1. Switch off and unplug the garment steamer and allow it to cool completely before storing.
2. Empty any water remaining in the water reservoir into the sink. Leaving water in the reservoir can allow deposits to build up or mold to grow.



Fig. 8

3. Do not wrap the cable around the garment steamer whilst still warm or wrap cable tightly around the steamer as this will increase wear on the cable.

9

TO USE – STEAMING CLOTHES

1. Check that the item is suitable to be steamed. If the care label displays the do not iron symbol (☒) it is not suitable to be steamed. Never steam suede, waxed jackets and take care with any printed surfaces or embellishments that may be affected by heat.
2. Hang the item to be steamed on a coat hanger and suspend from a hook or rail away from surfaces that will be damaged from heat or water. **Never steam a garment whilst it is being worn.**
3. If the item has a nap (for example velvet or wool), fit the fabric brush to the steam head. The brush will open the weave of the fabric and help the steam to penetrate.
4. For delicate and sheer fabrics such as silk, chiffon keep the steam head away from the surface of the fabric.
5. For fabrics with prints or embellishment steam the garment inside out.
6. Switch on the steamer and wait for it to come up to temperature and select the desired steam mode.
7. Hold the steamer in either of the two positions shown in figs. 4 & 5 with the steam head facing away from you, any other bystanders, pets or electrical equipment and sockets.
8. Squeeze the steam trigger and pass steam jets over the item moving from top to bottom and in the same direction as any nap.
9. After steaming your garment may feel damp and show a few water droplet marks, this is normal. Allow the garment to hang or air before wearing or placing in the wardrobe.

8

BASIC OPERATION

1. Press the water reservoir release button and slide out the water reservoir from the stand (figs. 1 & 2).
2. Flip open the reservoir (fig. 2) stopper and fill the water reservoir (through the aperture) with water (fig. 3). If you live in a hard water area it is advisable to use distilled or softened water. Do not overfill or exceed the MAX water level marked on the reservoir. **Never add starch or any cleaning or perfuming liquids into the water reservoir.**



Fig. 1



Fig. 2



Fig. 3

3. Close the aperture stopper and refit the reservoir into the stand.
4. Stand the garment steamer in the upright position.
5. Fully unwind the cable, plug in and switch on at the mains. The ON/OFF indicator button will illuminate red.
6. **Check that steam trigger is unlocked.** The slider on the trigger should be towards the top of the trigger and the trigger can be pressed.
7. Press the ON/OFF button and the indicator will illuminate blue and flash (to show that the garment steamer is heating up).
8. When the indicator stops flashing it is ready to use.

5

BASIC OPERATION (continued)

9. With the steam head facing away from you and any other bystanders or electrical equipment and sockets, squeeze the steam trigger. After a short interval steam will be emitted from the steam head.
10. To reduce the quantity of steam emitted press the ON/OFF button again. The indicator will illuminate purple to show that the steamer is in low steam mode.
11. To lock the steam trigger in the open position and get a continuous steam, move the slider on the trigger downwards.
12. The garment steamer can be turned off any time by pressing **and holding** the ON/OFF indicator button until the indicator turns red or by switching off at the mains and unplugging.

Note:

- This product is equipped with a safety feature that automatically switches the steamer into standby mode if it is not used for a period of 8 minutes. If auto standby is activated the indicator in the ON/OFF off button will turn red and flash. To reactivate the steamer, press the steam trigger.

6

HOLDING THE STEAMER DURING USE

- For efficient steam generation, hold the steamer vertically (fig. 4) or with the steam head facing downwards (fig. 5).



Fig. 4



Fig. 5

- Avoid holding the steamer vertically in either of the positions below as this will result in poor steam generation and may cause the steamer to overheat.



Fig. 6



Fig. 7

7